

Custom Modern Rail Request Form

Customer/Property Name

Dealer Name & Contact Information (Email & Phone)

For office use only:

SO#:

Custom:

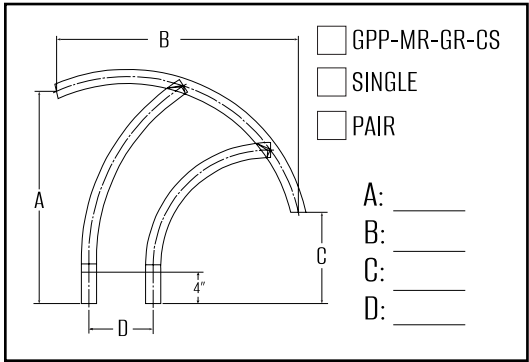
Commercial Residential

Dealer Address

City

State

ZIP



GPP-MR-GR-CS

SINGLE

PAIR

A: _____

B: _____

C: _____

D: _____

Wall Thickness

.049" .109"

.065" .145"

.120" (150 OD ONLY)

Tube Grade

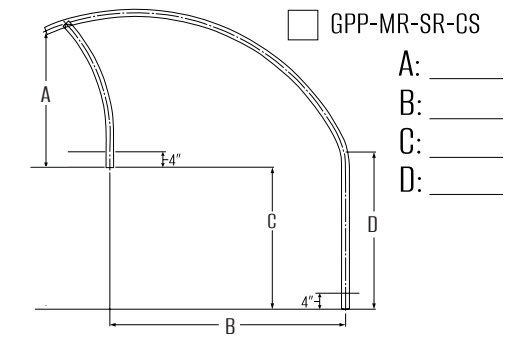
304 Standard

316 Marine Grade

Tube Diameter

1.90" 1.50"

Quantity



GPP-MR-SR-CS

A: _____

B: _____

C: _____

D: _____

Desired Tread Finish (Ladder)

Grey

Sand

White

Stainless Steel

Desired Tube Finish

Copper Vein

Silver Vein

White

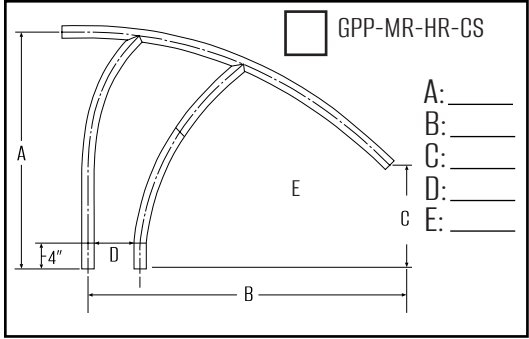
Sand

Global Grey

Polished

When specifying lengths where anchor insertion is present, please include depicted 4" in measurement for proper rail/ladder mounting.

I understand that this order will be built to the specifications provided and that no returns will be accepted on custom orders.



GPP-MR-HR-CS

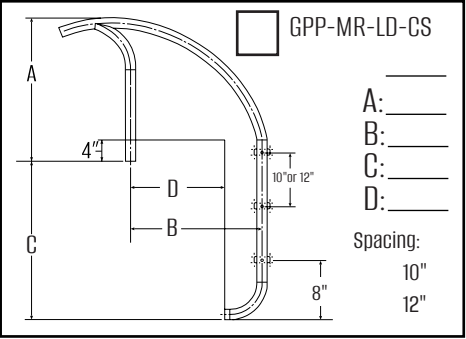
A: _____

B: _____

C: _____

D: _____

E: _____



GPP-MR-LD-CS

A: _____

B: _____

C: _____

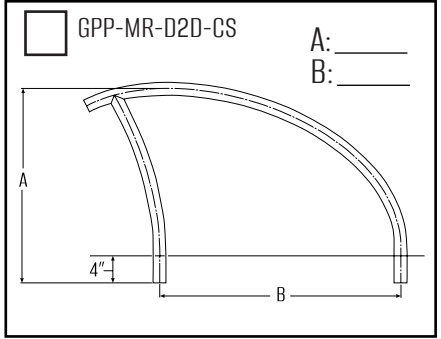
D: _____

E: _____

Spacing:

10"

12"



GPP-MR-D2D-CS

A: _____

B: _____

Signature

Date

For office use only

Measurements verified by:

Please ensure that all measurements are completed before submission

Please email custom rail request form to your local Imperial Pools Branch